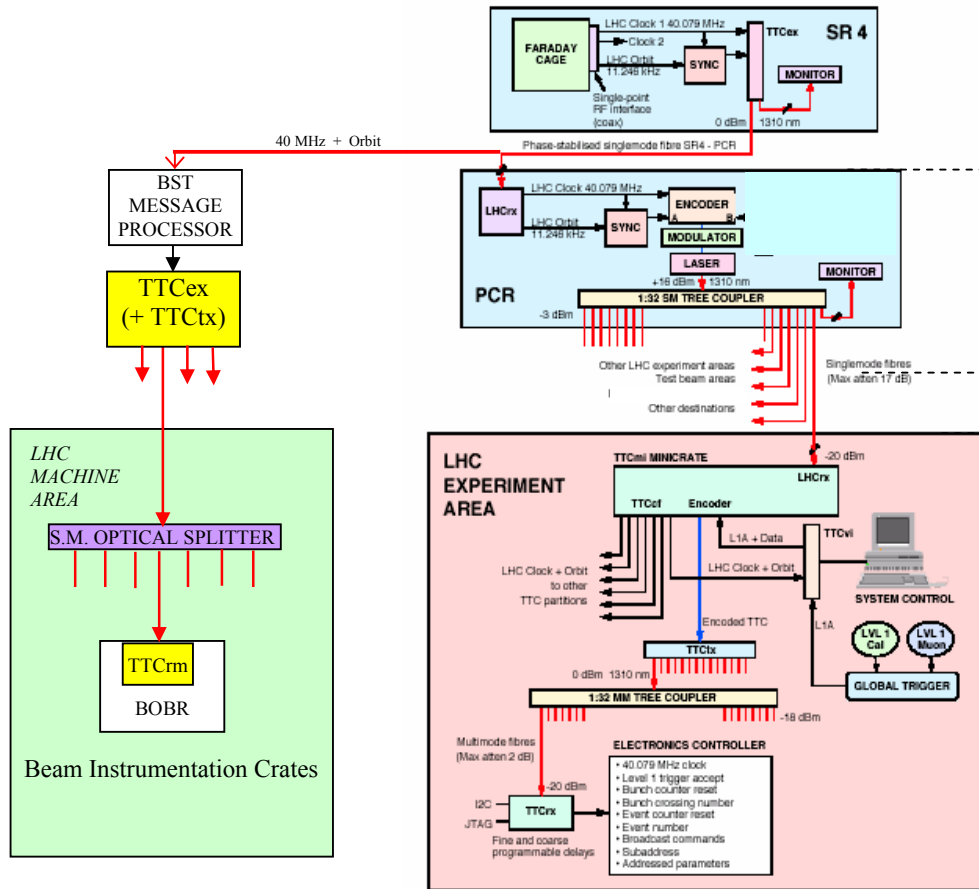


OVERALL TTC System (with TTCex + TTCtx):



B.G. Taylor 01.04.20

SUPPORT :

RF signals generation : AB-RF

Transmission to PCR : AB-CO

- VME CRATE :
BST MESSAGE PROCESSOR : AB-CO
TTCex + TTCtx provided by EP
- **TTC TRANSMITTER CRATE :**
Implemented by Bruce Taylor.
NOT SUPPORTED BY EP

F.O. Network supported by IT-FO

EXPERIMENT AREA :

TTC equipments provided by EP.
Implementation and maintenance
under responsibility of experiment.

MACHINE AREA :

Only TTCrm cards provided by EP.
Implementation and maintenance
under responsibility of AB-BDI.

Transmission Crate in PCR

